

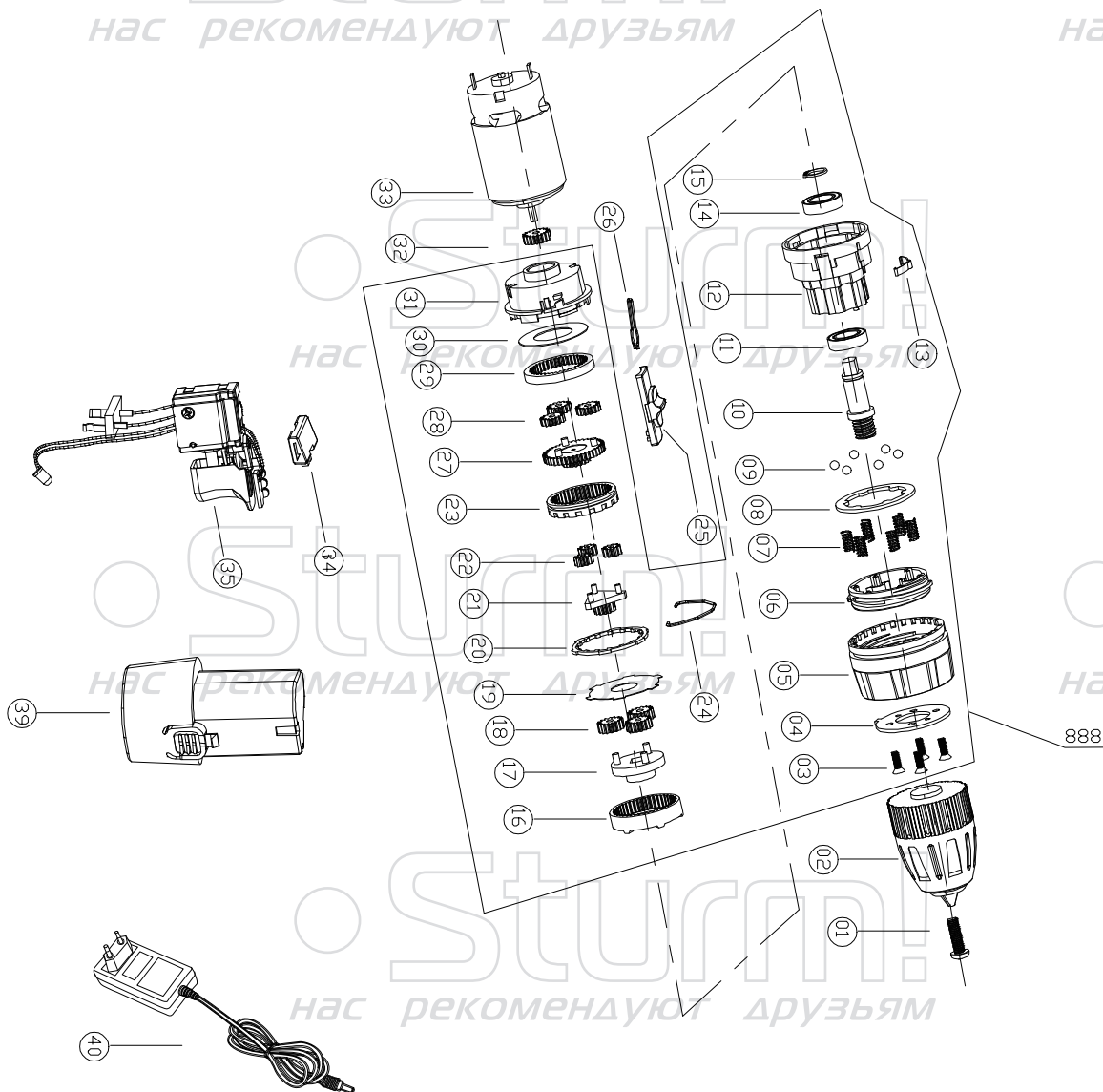
нас рекомендуют друзья

Sturm!
нас рекомендуют друзья

CD3512SC

| NO. | DESCRIPTION | NO. | DESCRIPTION |
|-----|---------------------------|-----|-------------------------|
| 1 | CHUCK SCREW M5X20 | 23 | TWO SPEED GEAR RING |
| 2 | CHUCK | 24 | TWO SPEED STEEL WIRE |
| 3 | SCREW ST2.9X10 | 25 | TWO SPEED SWITCH |
| 4 | PRESS BOARD | 26 | TWO SPEED SPRING |
| 5 | TORQUE ADJUSTMENT RING | 27 | THE FIRS PLANET CARRIER |
| 6 | TORQUE NUT | 28 | THE FIRS PLANET GEAR |
| 7 | SPRING | 29 | INNER GEAR RING |
| 8 | WASHER | 30 | WASHER |
| 9 | STEEL BALL 4.5MM | 31 | REAR GEAR BOX |
| 10 | SPINDLE | 32 | MOTOR GEAR |
| 11 | BEARING 6800 | 33 | MOTOR |
| 12 | GEAR BOX | 34 | DIRECTION POLE |
| 13 | SPRING | 35 | SWITCH |
| 14 | BEARING 6800 | 36 | HOUSING CLAMP |
| 15 | CIRCLIP 10MM | 37 | HOUSING |
| 16 | GEAR RING | 38 | SCREW |
| 17 | THE THIRD PLANET CARRIER | 39 | BATTERY PACK |
| 18 | THE THIRD PLANET GEAR | 40 | CHARGER |
| 19 | WASHER | 888 | GEAR BOX ASSEMBLY |
| 20 | WASHER | | |
| 21 | THE SECOND PLANET CARRIER | | |
| 22 | THE SECOND PLANET GEAR | | |

CD3512SC-EX-RUS220426



нас рекомендуют друзья

нас рекомендуют друзья

Sturm!
нас рекомендуют друзья